



Item # \_\_\_\_\_

Project \_\_\_\_\_



## SPECIFICATIONS

DI-24V-TE-AT2-FL-FR		
<b>Voltage/Wattage</b>	24VDC, 2.88W/ft.	
<b>CRI</b>	90+	
<b>Lumens<sup>1</sup></b>	<b>2400K</b>	94 Lm/ft.
	<b>2700K</b>	108 Lm/ft.
	<b>2850K</b>	117 Lm/ft.
	<b>3000K</b>	109 Lm/ft.
	<b>3300K</b>	111 Lm/ft.
	<b>3500K</b>	109 Lm/ft.
	<b>3800K</b>	109 Lm/ft.
	<b>4200K</b>	111 Lm/ft.
	<b>4400K</b>	123 Lm/ft.
	<b>5000K</b>	118 Lm/ft.
<b>6000K</b>	113 Lm/ft.	

## FEATURES

- Fully customizable
- Elegant design
- Engineered for rugged environments
- Lightweight, durable, and flexible
- Perfect for both indoor and outdoor applications

## SPECIFICATIONS (CONT.)

DI-24V-TE-AT2-FL-FR	
<b>Dimmable</b>	Yes
<b>Custom Produced</b>	2 in. Increments
<b>Field Cuttable</b>	No
<b>Certification</b>	UL 2108
<b>Warranty</b>	5 years
<b>Max Run<sup>2</sup></b>	16'
<b>Environment*</b>	Indoor / Outdoor, IP68

\*WARNING: NOT FOR USE IN POOL OR SPA APPLICATIONS

**SKU Builder**

<b>DL</b>	<b>DI</b>	-	<b>24V</b>	-	<b>TE</b>	-	<b>AT2</b>	-	<b>FL</b>	-	<b>FR</b>	-	<b>CSTM<sup>3</sup></b>
			Voltage		Orientation (Top emitting)		Model		Type (Flexible)		Diffuser (Frosted)		CCT & Length

Example: **DI-24V-TE-AT2-FL-FR-4400-8'2"** = Diode, 24 Volt, Top emitting, AlphaTECH™ Type 2, Flexible, Frosted, 4400 CCT, 8 feet 2 inches, with 96" lead

# AlphaTECH™ LED STRIP LIGHT

SPECIFICATION SHEET

## SPECIFICATIONS (CONT.)

- Material: UV/IR resistant TPU
- Luminous Efficacy<sup>4</sup> (lm/w): Various
- Mounting: Bottom U-Clip, 3M VHB adhesive tape (Indoor use only)
- Connections: Various Leads: 22/2 AWG
- Ambient Temp<sup>5</sup>: -4 - 122°F (-20 ~ 50°C)
- Operating Temp<sup>6</sup>: -4 - 176°F (-20 ~ 80°C)
- Flammability<sup>7</sup>: Flame retardant

## COMPLIANCE & REGULATORY APPROVALS

### Safety

- UL Listed 2108 Low Voltage Lighting System / Low Voltage Luminaire. UL 1598 / CSA 250.0-08, UL 8750. UL 879 / CAN/CSA-C22.2 no. 207-M89. Certified for United States and Canada. File # E469769.

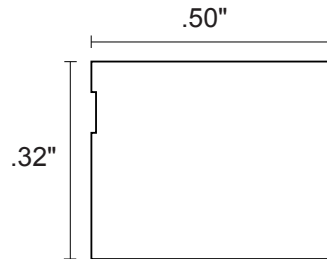
### Performance

- LED chip data measured in accordance to IES LM-80-08.
- Photometric & Colorimetry data measured in accordance to IES LM-79-08, in Elemental LED's Innovation Lab.

## MECHANICAL DIAGRAMS

### AlphaTECH™ AT2

Top emitting



## COMPATIBLE DRIVERS

Additional information on compatible Drivers can be found on page 3-7 or on the Diode LED web site at: [www.DiodeLED.com](http://www.DiodeLED.com).

1. Lumen value measured in accordance to IES LM-80-08. LED chips have a luminous flux range with a tolerance of +/- 5%.
2. Each maximum run requires a dedicated power feed from the driver. Do not extend beyond the recommended maximum run length.
3. Requests for custom lengths of Strip Light will be cut to the nearest (lower) cut point. (Example: *DI-24V-TE-AT2-FL-FR-4400-8' 3"* would be cut to 98 inches (ie. 8' 2"))
4. Actual efficacy value is dependent to specified LED driver (power supply). An estimated efficacy value can be calculated as follows: Lumen value divided by average power consumption per foot.
5. Do not install product in an environment outside the listed ambient temperature. Exceeding the maximum ambient temperature may damage LED chips, reduce the total lamp life, lumen output, and/or adversely impact color consistency and materials.
6. Operating temperature is measured according to the minimum and maximum ambient temperature environment.
7. This product has been tested and passed glow-wire flammability tests (GWFI index) at 650°C/1200°F, providing an extra level of safety for common areas, hospitality, and areas of high risk fire.

# AlphaTECH™ LED STRIP LIGHT

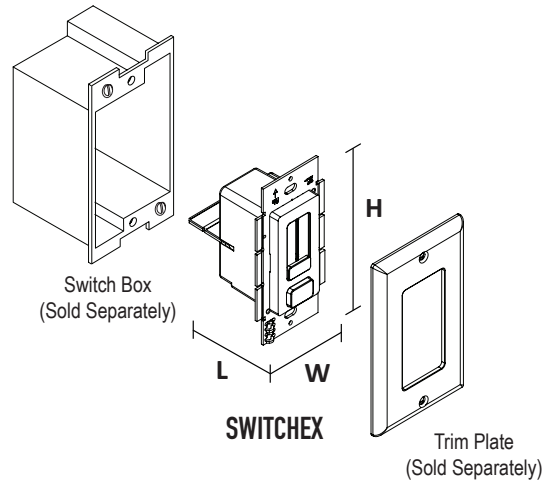
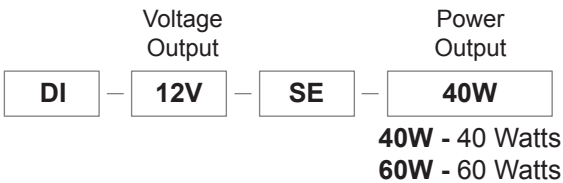
SPECIFICATION SHEET

## LED DRIVERS (Required)

The following Listed LED Drivers are recommended to meet NEC code when installed according to specifications. For additional LED Driver options see Diode LED's product page at: <https://www.diodeled.com/products/led-power-supplies.html>

### SWITCHEX® DRIVER + DIMMER SWITCH

SWITCHEX combines an LED driver and LED dimmer switch into a single integrated unit. Fits into standard switch boxes.

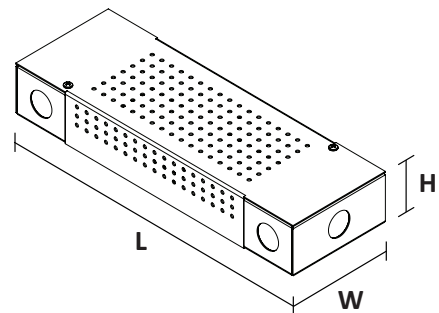
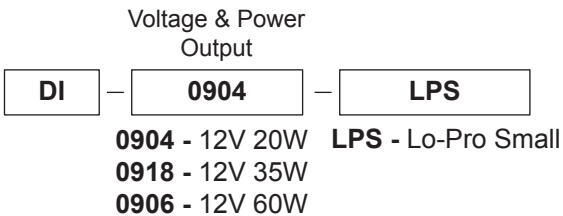


SKU L - LENGTH W - WIDTH H - HEIGHT

**DI-12V-SE-40W**  
**DI-12V-SE-60W** Fits in Standard Switch Box

### LO-PRO® JUNCTION BOX & DRIVER COMBO - 12V CONSTANT VOLTAGE LED DRIVER

Use Constant Voltage Drivers to power your low voltage tape light. Compatible with Standard 120VAC On/Off Switches, REIGN® 12-24V Low Voltage Dimmers, TOUCHDIAL™ Control System, DMX Decoders, and PWM Controls.

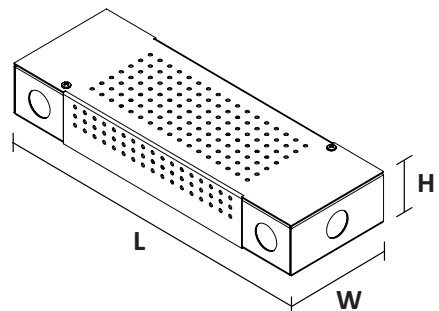
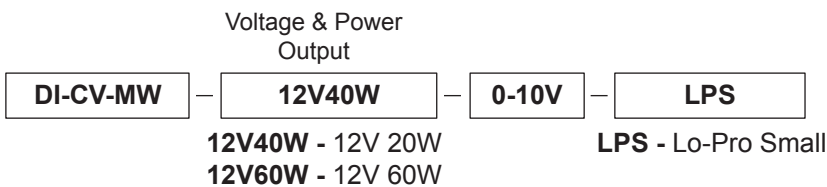


SKU L - LENGTH W - WIDTH H - HEIGHT

**DI-0904-LPS**  
**DI-0918-LPS** 11.25 in. 3.75 in. 1.90 in.  
**DI-0906-LPS**

### LO-PRO® JUNCTION BOX & DRIVER COMBO - 12V COMMERCIAL GRADE 0-10V LED DIMMABLE DRIVER

Compatible with 0-10V controls and dimmer systems.



SKU L - LENGTH W - WIDTH H - HEIGHT

**DI-CV-MW-12V40W-0-10V-LPS**  
**DI-CV-MW-12V60W-0-10V-LPS** 11.25 in. 3.75 in. 1.90 in.

# AlphaTECH™ LED STRIP LIGHT

SPECIFICATION SHEET

## LED DRIVERS (Required)

The following Listed LED Drivers are recommended to meet NEC code when installed according to specifications. For additional LED Driver options see Diode LED's product page at: <https://www.diodeled.com/products/led-power-supplies.html>

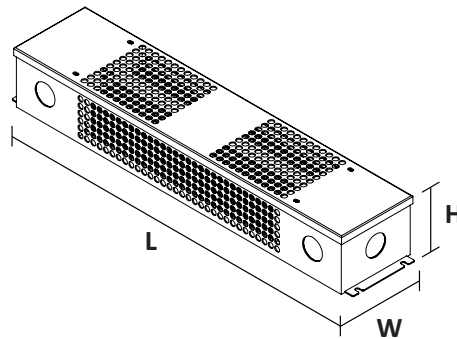
### OMNIDRIVE® 2 ELECTRONIC DIMMABLE LED DRIVER

OMNIDRIVE 2 features a zero minimum load and 100-5% dimming range. Compatible with Forward Phase and Reverse Phase Dimmers.

Voltage & Power  
Output



- 12V24W - 12V 24W
- 12V60W - 12V 60W
- 12V120W - 12V 120W
- 12V200W - 12V 200W



SKU	L - LENGTH	W - WIDTH	H - HEIGHT
DI-OD2-12V24W	13.75 in.	3.00 in.	1.60 in.
DI-OD2-12V60W	13.75 in.	3.00 in.	1.60 in.
DI-OD2-12V120W	15.00 in.	3.10 in.	2.40 in.
DI-OD2-12V200W	16.10 in.	3.40 in.	2.40 in.

### LUTRON® HI-LUME 1% LED DIMMABLE DRIVER

Hi-lume 1% LED driver has a minimum load of 5W and Dims from 100-1%.

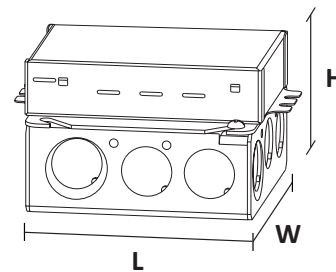
Voltage & Power  
Output

3-Wire or 2-Wire Dimmers



12V40W - 12V 40W

- L3D - Lutron Hi-lume 1% EcoSystem /3-Wire Voltage LED Driver
- LTE - Lutron Hi-lume 1% 2-Wire LED Driver (120V Forward Phase Only)



SKU	L - LENGTH	W - WIDTH	H - HEIGHT
DI-DM-12V40W-L3D	4.89 in.	4.00 in.	2.62 in.
DDI-DM-12V40W-LTE			

### LUTRON® HI-LUME PREMIER 0.1% LED DIMMABLE DRIVER

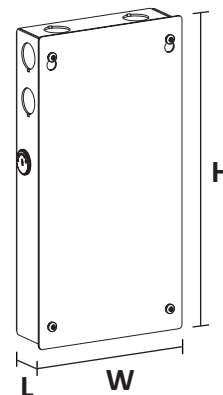
Hi-Lume Premier 0.1% LED driver has a minimum load of 5W and Dims from 100-0.1%.

Voltage & Power  
Output



12V40W - 12V 40W

- L3D - Lutron Hi-lume Premier 0.1% EcoSystem/3-Wire LED Driver



SKU	L - LENGTH	W - WIDTH	H - HEIGHT
DI-DM-24V96W-L3D	5.50 in.	2.20 in.	10.50 in.

# AlphaTECH™ LED STRIP LIGHT

SPECIFICATION SHEET

## LED DRIVERS (Required)

The following Listed LED Drivers are recommended to meet NEC code when installed according to specifications. For additional LED Driver options see Diode LED's product page at: <https://www.diodeled.com/products/led-power-supplies.html>

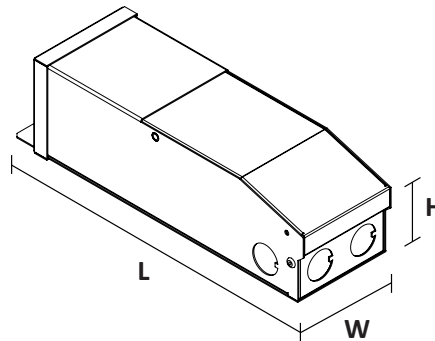
### MAGNETIC DIMMABLE DRIVERS

Compatible with 120VAC MLV (Magnetic Low Voltage) Dimmer Switches

Voltage & Power  
Output

DI	0920
----	------

- 0920 - 12V 20W
- DM-12V40W - 12V 40W
- 0922 - 12V 60W
- 0925 - 12V 100W
- DM-12V120W-MT - 12V 120W (2x 60W Taps)
- DM-12V180W-MT - 12V 120W (3x 60W Taps)
- 0923 - 12V 200W
- DM-12V300W-MT - 12V 120W (5x 60W Taps)



SKU	L - LENGTH	W - WIDTH	H - HEIGHT
DI-0920	5.60 in.	2.00 in.	2.14 in.
DI-DM-12V40W	5.60 in.	2.00 in.	2.14 in.
DI-0922	6.55 in.	2.25 in.	2.55 in.
DI-0925	9.80 in.	3.00 in.	3.00 in.
DI-DM-12V120W-MT	9.80 in.	4.20 in.	3.20 in.
DI-DM-12V180W-MT	9.80 in.	4.20 in.	3.20 in.
DI-0923	9.80 in.	3.00 in.	3.00 in.
DI-DM-12V300W-MT	9.80 in.	4.20 in.	3.20 in.

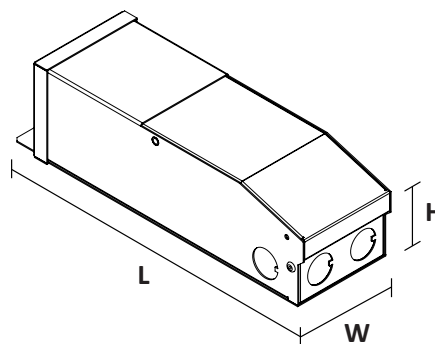
### MAGNETIC DIMMABLE DRIVERS (277VAC INPUT)

Compatible with 277VAC MLV (Magnetic Low Voltage) Dimmer Switches

Voltage & Power  
Output

DI	DM-12V20W-277
----	---------------

- DM-12V20W-277 - 12V 20W
- DM-12V60W-277 - 12V 60W
- DM-12V100W-277 - 12V 100W
- DM-12V200W-277 - 12V 200W
- DM-12V300W-277 - 12V 300W



SKU	L - LENGTH	W - WIDTH	H - HEIGHT
DI-DM-12V20W-277	5.60 in.	2.00 in.	2.14 in.
DI-DM-12V60W-277	6.55 in.	2.25 in.	2.55 in.
DI-DM-12V100W-277	9.80 in.	3.00 in.	3.00 in.
DI-DM-12V200W-277	9.80 in.	4.20 in.	3.50 in.
DI-DM-12V300W-MT	9.80 in.	4.20 in.	3.50 in.

# AlphaTECH™ LED STRIP LIGHT

SPECIFICATION SHEET

## LED DRIVERS (Required)

The following Listed LED Drivers are recommended for compatibility and to meet NEC code when installed according to specifications. For additional LED Driver options see Diode LED's product page at: <https://www.diodeled.com/products/led-power-supplies.html>

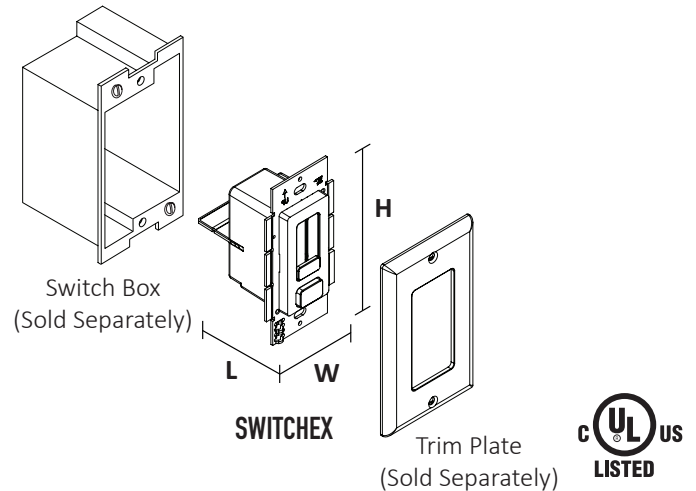
### SWITCHEX® DRIVER + DIMMER SWITCH

SWITCHEX combines an LED driver and LED dimmer switch into a single integrated unit. Fits into standard switch boxes.



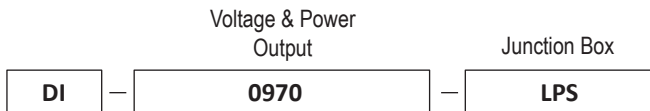
SKU	L - LENGTH	W - WIDTH	H - HEIGHT
DI-24V-SE-60W	1.40 in.	2.10 in.	4.10 in.
DI-24V-SE-100W	1.40 in.	2.10 in.	4.10 in.

Fits in Standard Switch Box

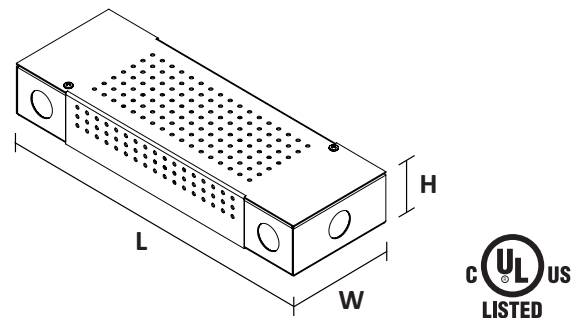


### LO-PRO® JUNCTION BOX & DRIVER COMBO - 24V CONSTANT VOLTAGE LED DRIVER

Use Constant Voltage Drivers to power your lighting system. Compatible with Standard 120VAC On/Off Switches, REIGN® Low Voltage Dimmers, TOUCHDIAL™ Control System, DMX Decoders, and PWM Controls.

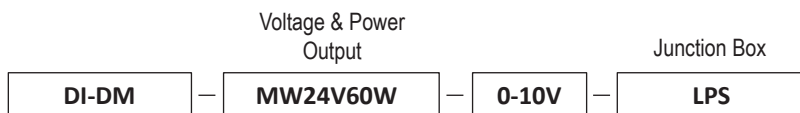


SKU	L - LENGTH	W - WIDTH	H - HEIGHT
DI-0970-LPS	11.25 in.	3.75 in.	1.90 in.
DI-CV-MW24V60W-277-LPS	11.25 in.	3.75 in.	1.90 in.
DI-CV-MW24V90W-277-LPS	11.25 in.	3.75 in.	1.90 in.
DI-0954-LPL	13.5 in.	4.5 in.	2.37 in.

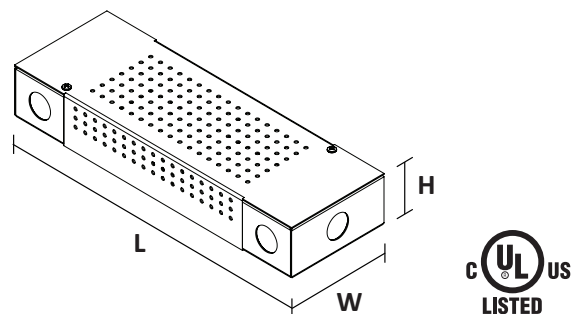


### LO-PRO® JUNCTION BOX & DRIVER COMBO - 24V COMMERCIAL GRADE 0-10V LED DIMMABLE DRIVER

Compatible with 0-10V controls and dimming systems.



SKU	L - LENGTH	W - WIDTH	H - HEIGHT
DI-DM-MW-24V60W-0-10V-LPS	11.25 in.	3.75 in.	1.90 in.
DI-DM-MW-24V90W-0-10V-LPL	13.5 in.	4.5 in.	2.37 in.



# AlphaTECH™ LED STRIP LIGHT

SPECIFICATION SHEET

## LED DRIVERS Cont. (Required)

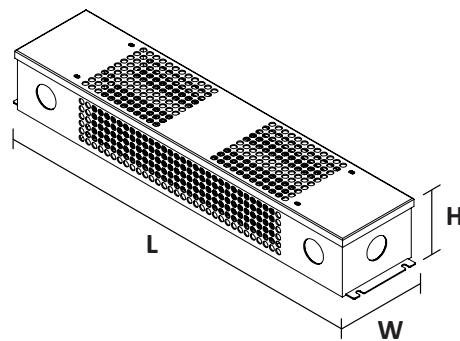
The following Listed LED Drivers are recommended for compatibility and to meet NEC code when installed according to specifications. For additional LED Driver options see Diode LED's product page at: <https://www.diodeled.com/products/led-power-supplies.html>

### OMNIDRIVE® 2 ELECTRONIC DIMMABLE LED DRIVER

OMNIDRIVE 2 features a zero minimum load and 100-5% dimming range. Compatible with Forward Phase and Reverse Phase Dimmers. Please see Diode LED's Compatibility List at: <https://www.diodeled.com/custom/download/productFile/fileName/DI-OD2-Compatibility%20List.pdf/>

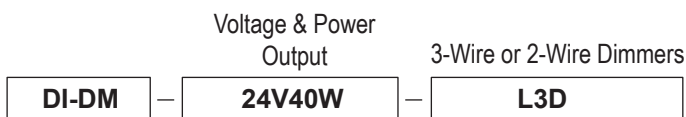


SKU	L - LENGTH	W - WIDTH	H - HEIGHT
DI-OD2-24V24W	13.75 in.	3.00 in.	1.60 in.
DI-OD2-24V60W	13.75 in.	3.00 in.	1.60 in.
DI-OD2-24V96W	15.00 in.	3.10 in.	2.40 in.
DI-OD2-24V120W	15.00 in.	3.10 in.	2.40 in.
DI-OD2-24V200W	16.10 in.	3.40 in.	2.40 in.

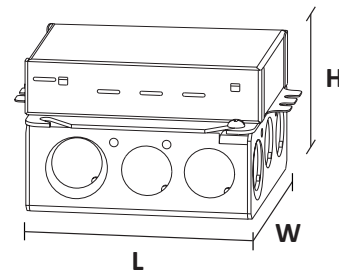


### LUTRON® Hi-lume 1% LED DIMMABLE DRIVER

Hi-lume 1% LED Driver has a minimum load of 5W and dims from 100-1%.

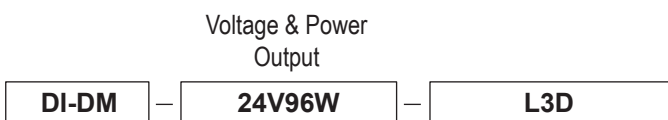


SKU	L - LENGTH	W - WIDTH	H - HEIGHT
DI-DM-24V40W-L3D	4.89 in.	4.00 in.	2.62 in.
DI-DM-24V40W-LTE			

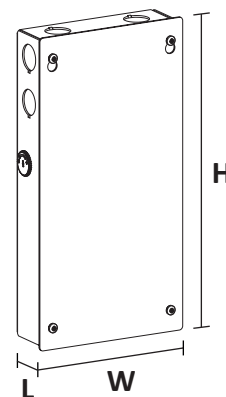


### LUTRON® Hi-lume Premier 0.1% LED DIMMABLE DRIVER

Hi-Lume Premier 0.1% LED Driver has a minimum load of 5W and dims from 100-0.1%.



SKU	L - LENGTH	W - WIDTH	H - HEIGHT
DI-DM-24V96W-L3D	5.50 in.	2.20 in.	10.50 in.



# AlphaTECH™ LED STRIP LIGHT

SPECIFICATION SHEET

## ADDITIONAL INFORMATION

- AlphaTECH™ LED STRIP LIGHT Installation Guide

## SAFETY / WARNINGS / DISCLOSURES

1. Install in accordance with national and local electrical code regulations.
2. This product is intended to be installed and serviced by a qualified, licensed electrician.
3. Only install with a listed Class 2 DC LED Driver.
4. Not for use in or on walls of pools, fountains, or other partially or fully submersed locations.
5. Do not modify or disassemble product beyond instructions or this warranty will be void.
6. Actual color may vary from what is pictured above and on other print materials due to the limitations of photographic processes.
7. We reserve the right to modify and improve the design of our fixtures without prior notice. We cannot guarantee to match existing installed fixtures for subsequent orders or replacements in regards to product appearance, CCT, or lumen output.

## WARRANTY

### Limited Warranty

This product has a five (5) year limited warranty from the date of shipment. This warranty does not include the additional accessories referenced in this specification sheet. Complete warranty details for fixtures and additional accessories are available at [www.diodeled.com/limited-warranty/](http://www.diodeled.com/limited-warranty/) within the Policies section. For warranty related questions please contact product support.

### Consumer's Acknowledgment

Elemental LED, Inc. stands behind its products when they are used properly and according to our specifications. By purchasing our products, the purchaser agrees and acknowledges that lighting design, configuration and installation is a complex process, wherein seemingly minor factors or changes in layout and infield adjustments can have a significant impact on an entire system. Choosing the correct components is essential. Elemental LED is able to work with the original purchaser to make an appropriate product selection to the extent of the limited information that the customer can provide, but it is virtually impossible for Elemental LED to design a system that foresees every unknown factor. For this reason, this Warranty does not cover problems caused by improper design, configuration or installation issues. Any statement from an Elemental LED employee or agent regarding a customer's bill of goods and/or purchase order is NOT an acknowledgment that the products purchased are designed and configured correctly. The purchaser agrees and acknowledges that it is the customer's responsibility to adhere strictly to all information contained in the Product Specification Sheets.

There is often more than one way to design, configure and layout an LED lighting application properly to achieve the same lighting effect. Elemental LED strongly recommends that licensed professionals be used in the design and installation of lighting systems that include Elemental LED products. The specifications include important information that a designer and installer should carefully review and strictly follow. Qualified designers and certified and/or licensed installers, with access to the final installation environment, customer goals, and Elemental LED product specifications can make the requisite decisions appropriate for a successful finished lighting application.



© 2018 Elemental LED, Inc. All rights reserved.  
Specifications are subject to change without notice.

Toll Free: 877.817.6028 | Fax: 415.592.1596 | [www.DiodeLED.com](http://www.DiodeLED.com) | [info@DiodeLED.com](mailto:info@DiodeLED.com)

SPEC SHEET | AlphaTECH™ LED STRIP LIGHT | SS041718-4.0 | 8 OF 8